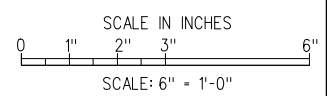
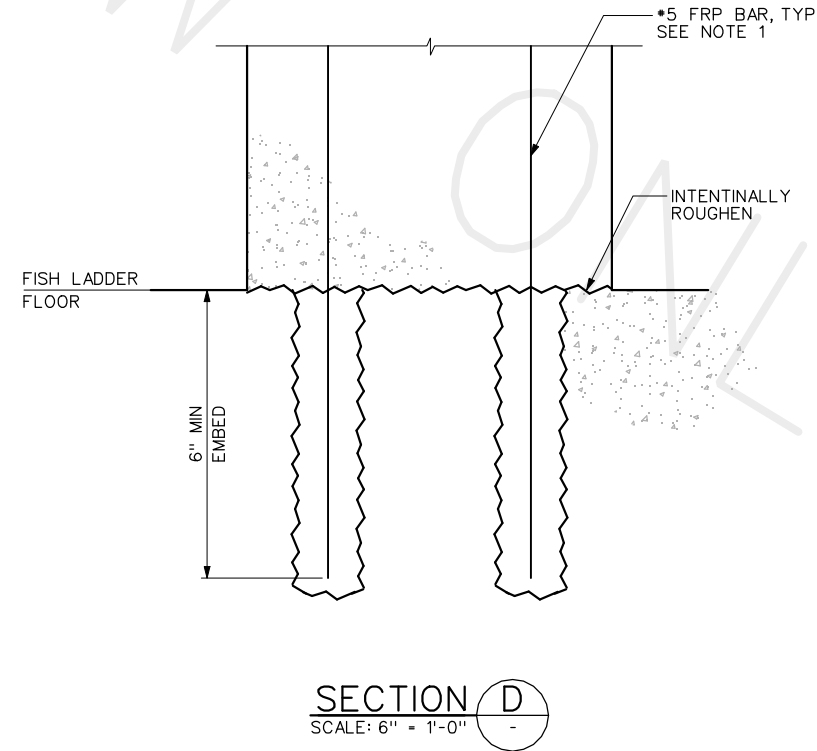
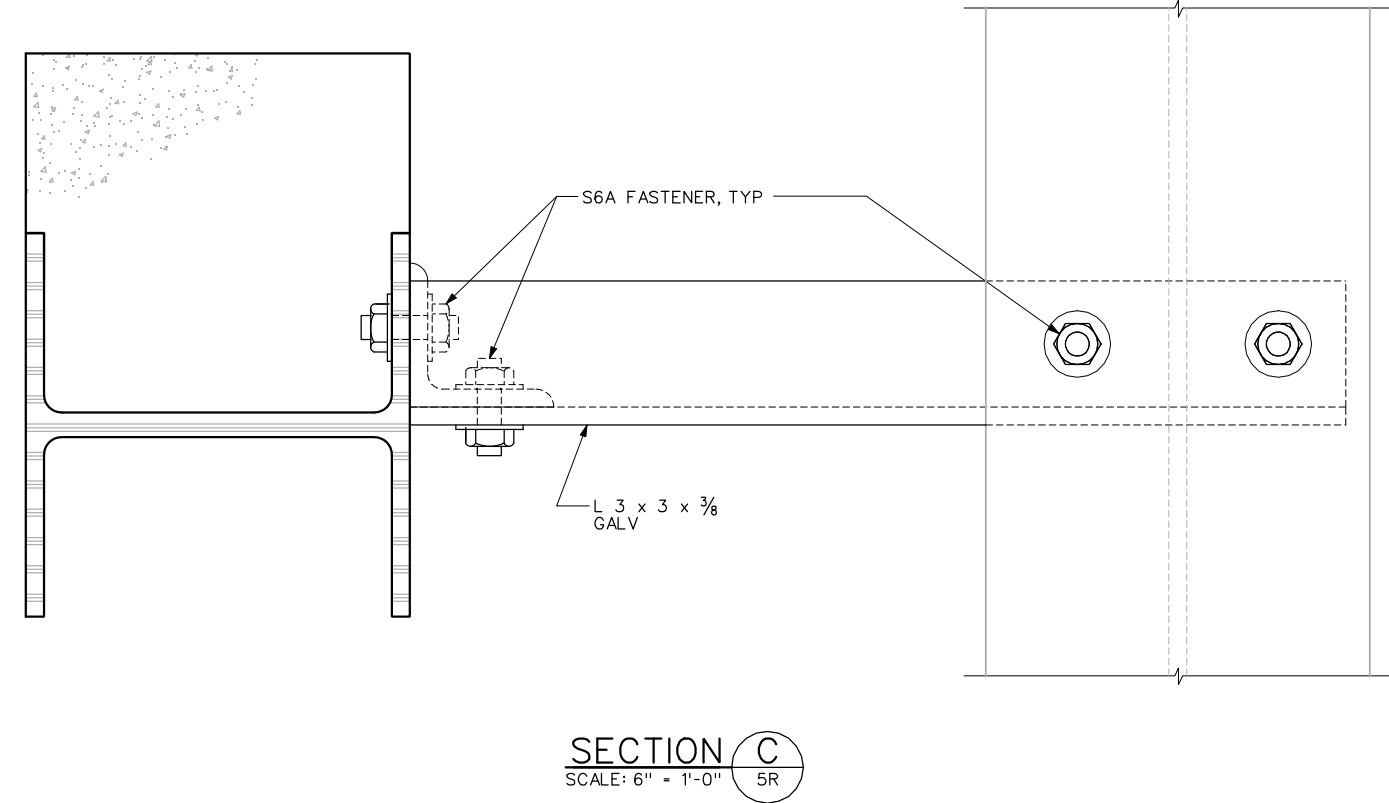
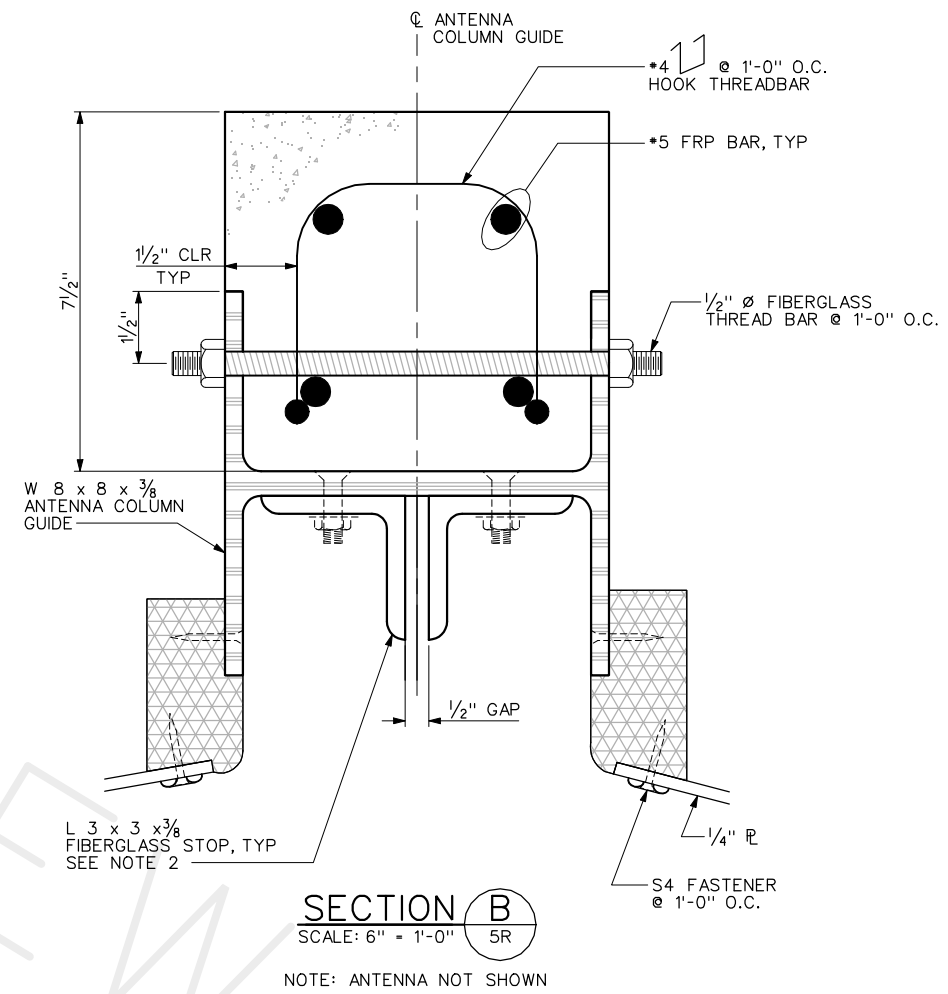
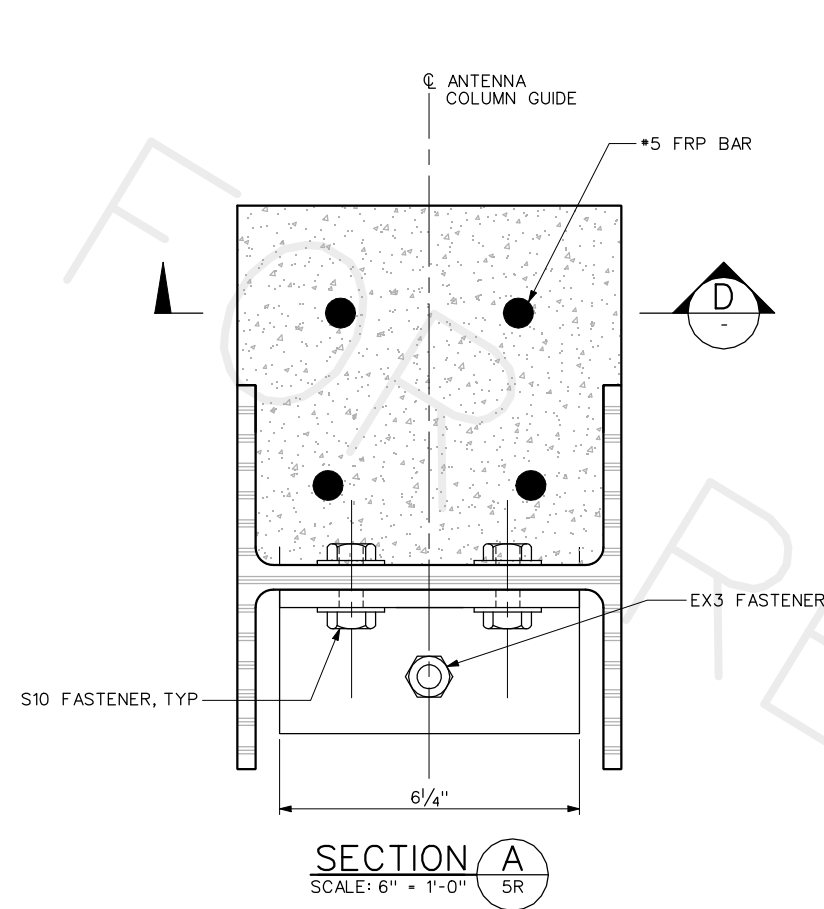


NOTES:

1. EPOXY FIBER REINFORCED POLYMER (FRP) BARS INTO FISH LADDER FLOOR WITH HILTI HY 150 OR APPROVED ALTERNATIVE.
2. EPOXY AND MECHANICALLY FASTEN FIBERGLASS STOP ANGLES TO ANTENNA GUIDE. FASTENERS SHALL BE S7 (COUNTERSUNK), THREE PER ANGLE. FOR STOP LENGTH, FASTENER SPACING AND LOCATIONS SEE SHEET 6R.
3. SEE SHEET 10R FOR FASTENER SCHEDULE.



4:38:30 PM 7/8/2005 PDF_half.plt PENTABLE.TBL L:\2005\05-022\CADD\Struct\sheet\7R.dgn



NO.	DATE	BY	CKD.	APPR.	REVISION

SCALE AS SHOWN	DESIGNED BY DA
PROJECT NO. 05-022	DRAWN BY VR
	CHECKED BY DS
	APPROVED BY DM

INCA INCA ENGINEERS INC.
400 112th Ave. NE, Suite 400
Bellevue, WA 98004

YAKIMA TRIBAL FISHERIES PROSSER DAM ADULT PIT TAG		SHEET
RIGHT BANK FISH LADDER ANTENNA COLUMN GUIDE SECTIONS AND DETAILS		OF
		7R