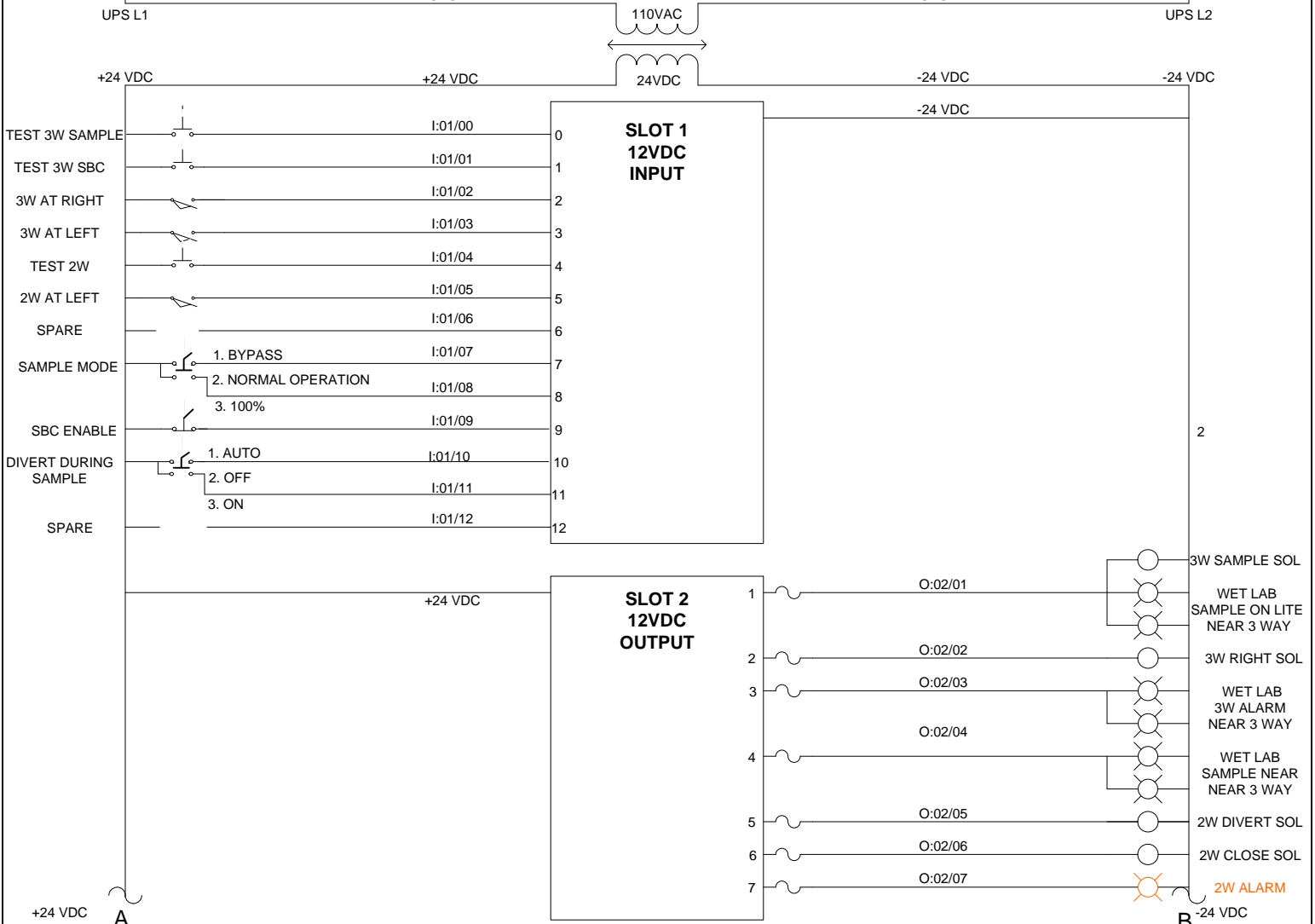
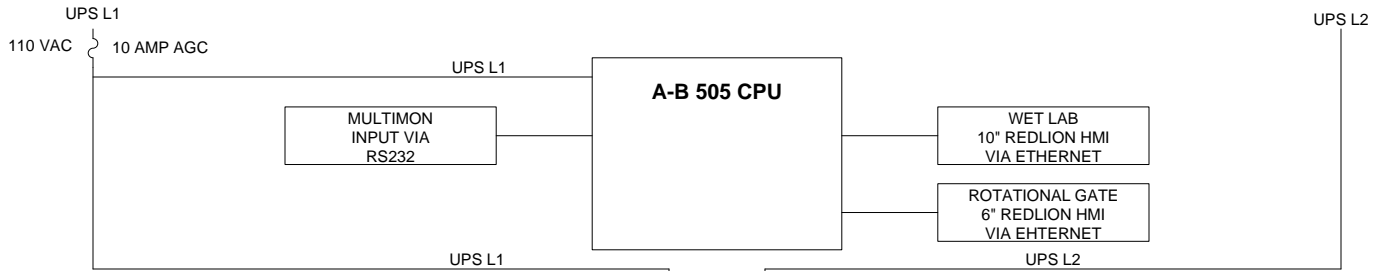
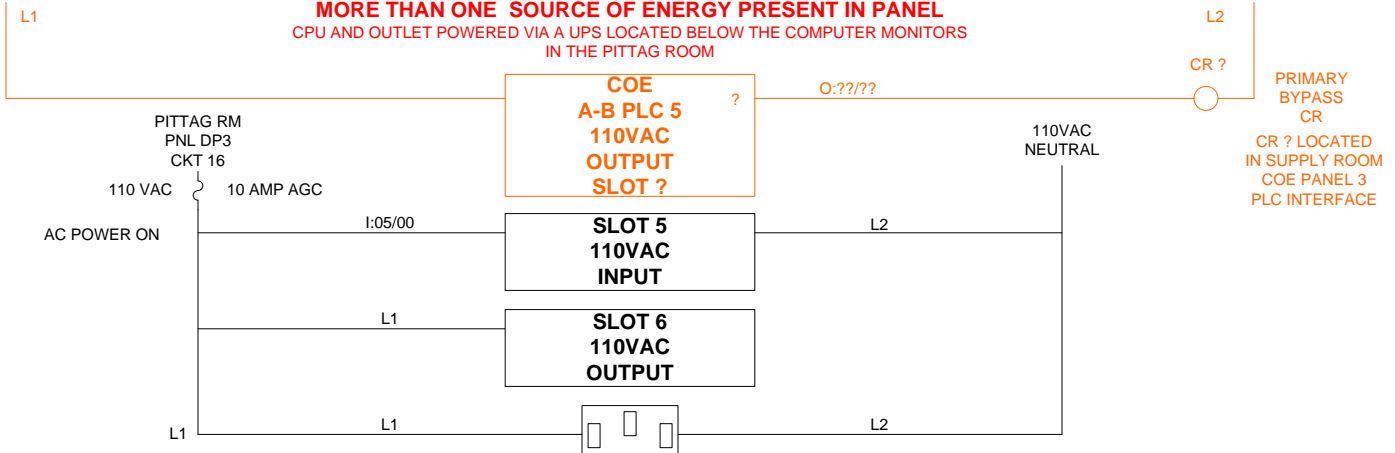


ELEC RM  
PNL DP2A  
CKT 30

# JOHN DAY

110VAC  
NEUTRAL

**CAUTION**  
**MORE THAN ONE SOURCE OF ENERGY PRESENT IN PANEL**  
CPU AND OUTLET POWERED VIA A UPS LOCATED BELOW THE COMPUTER MONITORS  
IN THE PITTAG ROOM



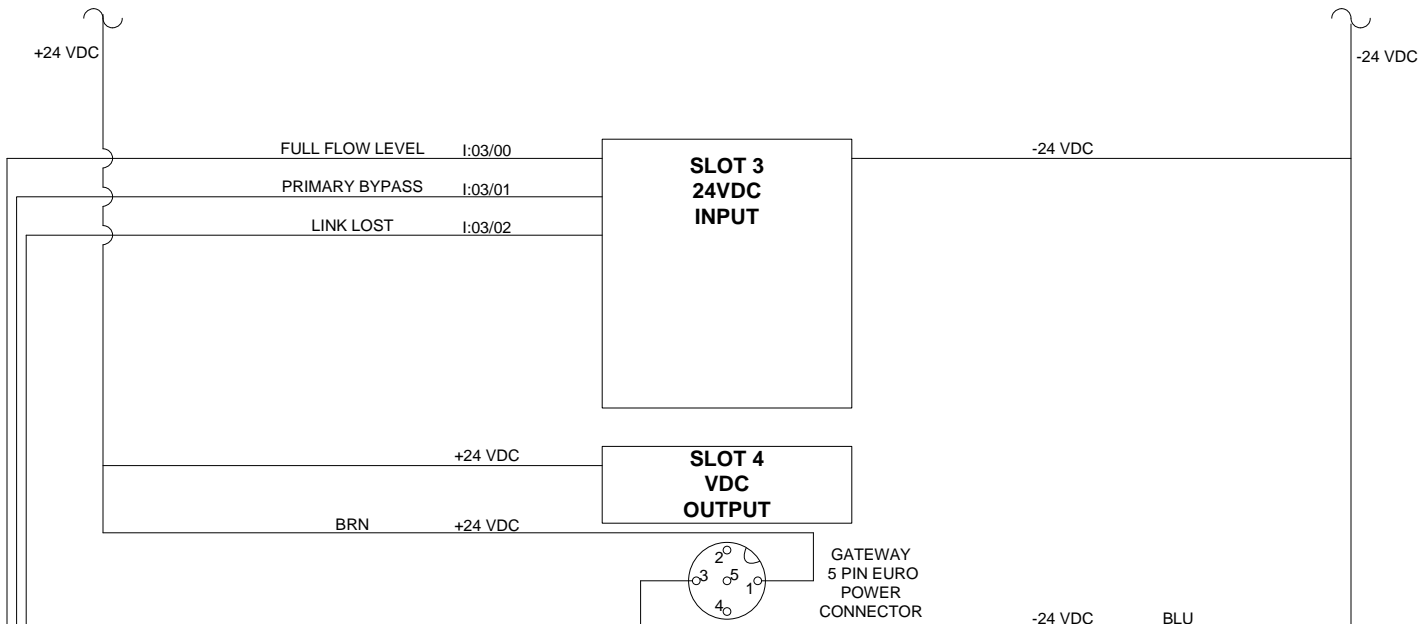
CONTINUED ON PAGE 2

CONTINUED ON PAGE 2

NAME: JDJ			
REV 1	DRAWN BY: TNH	11/22/10	PSMFC

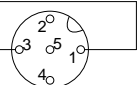
no longer in use

NOTE: ALL OUTPUTS FUSED WITH 2 AMP AGC FUSES.

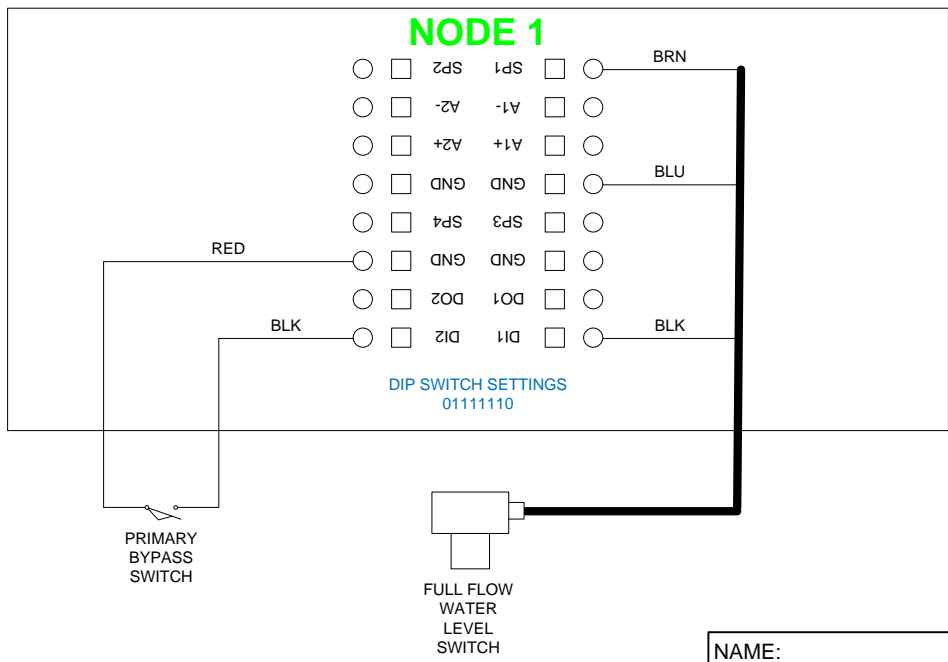


**GATEWAY**

INPUT	DESCRIPTION	GW I/O	GW TERMINAL
			<input type="checkbox"/> PWR <input type="checkbox"/> PWR <input type="checkbox"/> GND <input type="checkbox"/> GND
		14	<input type="checkbox"/> AO2 <input type="checkbox"/> AI1
		13	<input type="checkbox"/> AO1 <input type="checkbox"/> AI2
		12	<input type="checkbox"/> DO4 <input type="checkbox"/> DI4
I:3/2	LINK LOST	11	<input type="checkbox"/> DO3 <input type="checkbox"/> DI3
I:3/1	PRIMARY BYPASS	10	<input type="checkbox"/> DO2 <input type="checkbox"/> DI2
I:3/0	FULL FLOW LEVEL	9	<input type="checkbox"/> DO1 <input type="checkbox"/> DI1



NODE 1  
5 PIN EURO  
POWER  
CONNECTOR



NAME: JDJ	
REV 1	DRAWN BY: TNH
11/22/10	PSMFC