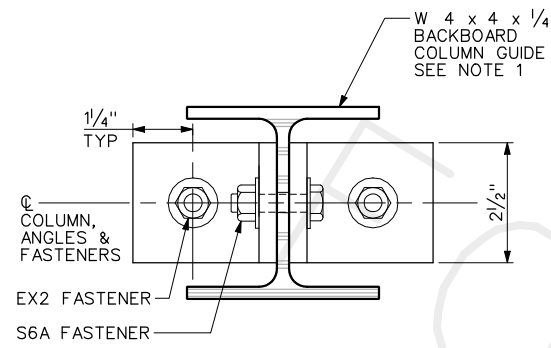
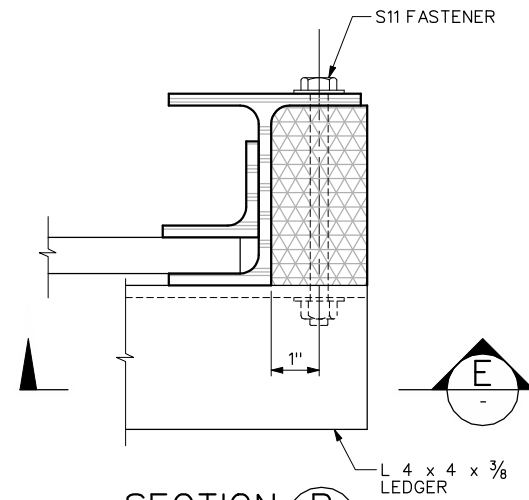


4:38:43 PM 7/8/2005 PDF\_half.plt PENTABLE.TBL L:\2005\05-022\CADD\Struct\sheet\8R.dgn

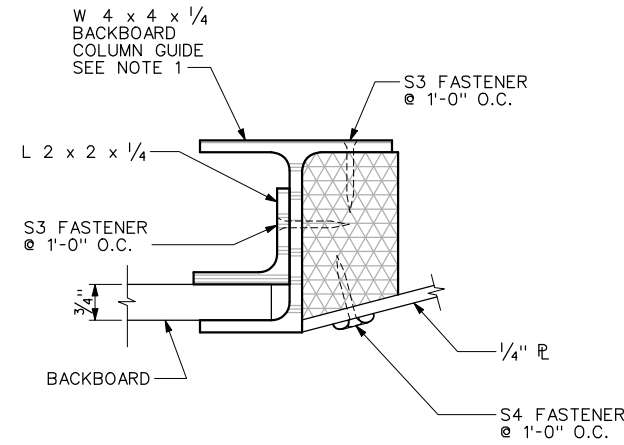


SECTION A  
SCALE: 6" = 1'-0" 5R



SECTION B  
SCALE: 6" = 1'-0" 5R

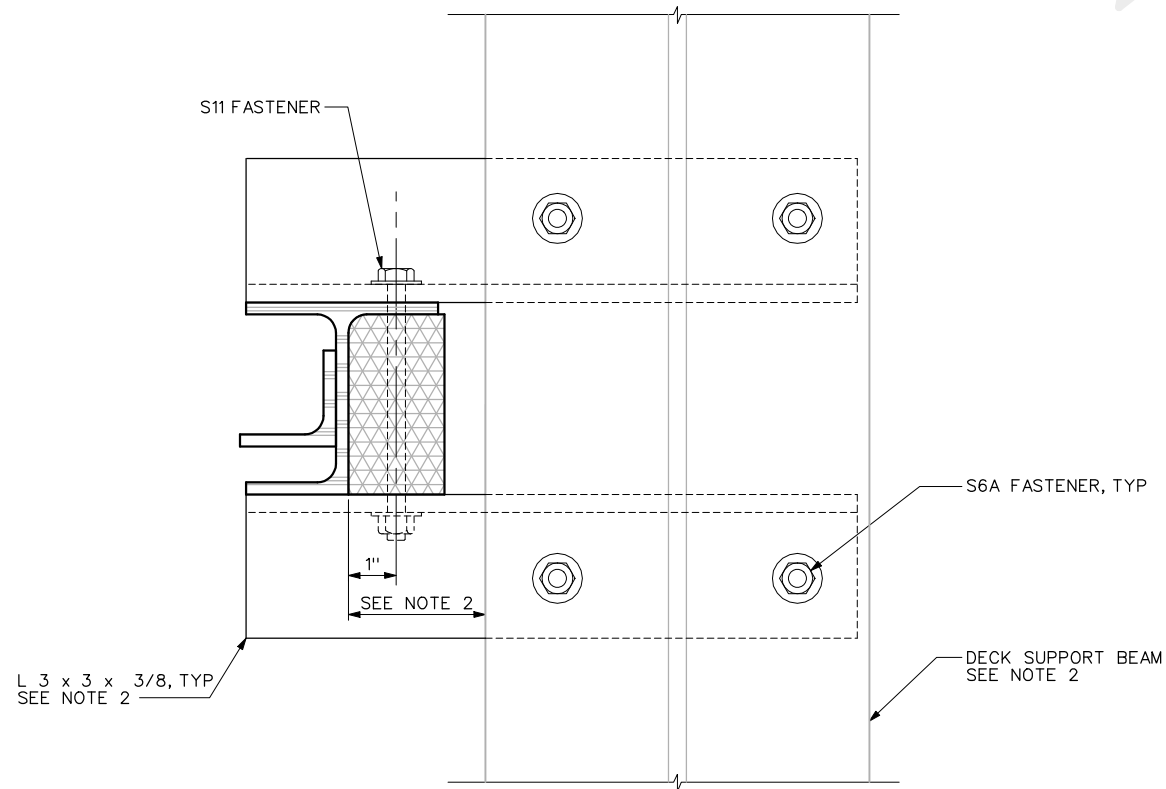
NOTE: FISH COUNTER TABLE PLATE NOT SHOWN



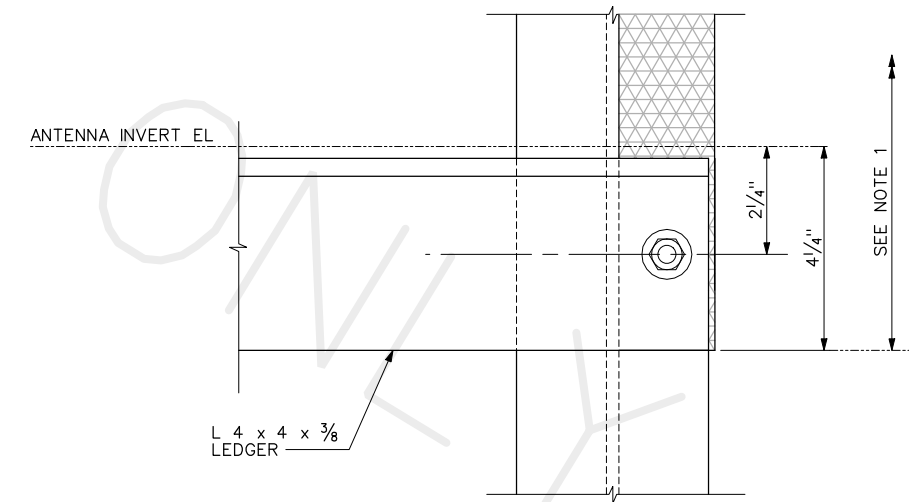
SECTION C  
SCALE: 6" = 1'-0" 5R

NOTES:

1. REMOVE ONE HALF OF ONE FLANGE ON BACKBOARD COLUMN AS SHOWN.
2. DISTANCE BETWEEN BACKBOARD COLUMN AND DECK SUPPORT BEAM TO BE DETERMINED BY THE CONTRACTOR. SIZE AND DIMENSIONS OF DECK SUPPORT BEAM TO BE DETERMINED BY THE CONTRACTOR.
3. SEE SHEET 10R FOR FASTENER SCHEDULE.



SECTION D  
SCALE: 6" = 1'-0" 5R



SECTION E  
SCALE: 6" = 1'-0" 5R

NOTE: FISH COUNTER TABLE PLATE NOT SHOWN



NO.	DATE	BY	CKD.	APPR.	REVISION

SCALE AS SHOWN	DESIGNED BY DA
PROJECT NO. 05-022	DRAWN BY VR
	CHECKED BY DS
	APPROVED BY DM

**INCA** INCA ENGINEERS INC.  
400 112th Ave. NE, Suite 400  
Bellevue, WA 98004

YAKIMA TRIBAL FISHERIES  
PROSSER DAM ADULT PIT TAG  
RIGHT BANK FISH LADDER  
BACKBOARD ASSEMBLY  
SECTIONS AND DETAILS

SHEET  
OF  
8R